



Assembly Instructions

P U M P M O R E F O R L E S S

DOT IBCKIT & DOT UNIKIT UNIVERSAL BRACKET PART No. DUB001

Step 1

Slide bracket **6** into bracket **7** to establish securing point **1** based on tank and size.
Screw (2x) **M10** screws both sides of bracket

Step 2

Screw down hose reel with (4x) **M10** screws on top of bracket at point **2**

Step 3

Secure drip tray using (2x) **M6** screws at point **3**

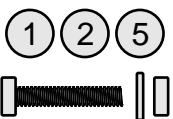
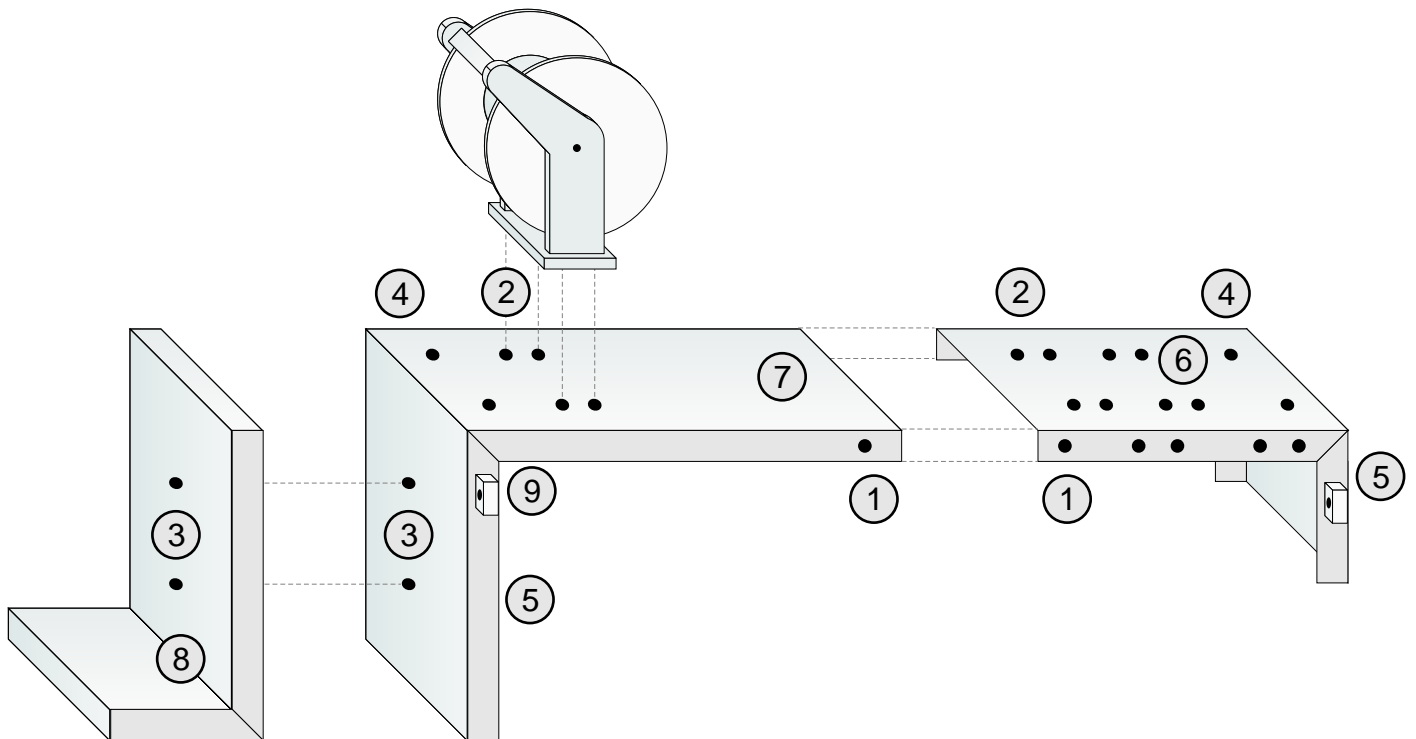
Step 4

For IBC tanks use **M10 hook** screws to secure unit onto tank at point **4**

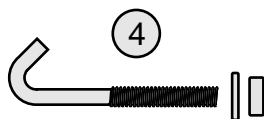
- OR -

For Unitank use **#9** screw plate with **M10** screws to clamp unit onto tank at point **5**

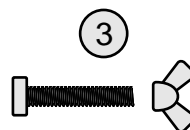
Diagram 1



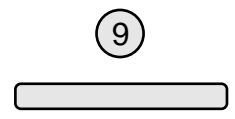
M10 Screw
(Qty 6 for IBCKIT)
(Qty 10 for UNIKIT)



M10 Hook Screw
(Qty 4 for IBCKIT)



M6 Screw & Wing Nut
(Qty 2)



For Unitank - Screw plate
(Qty 2 for UNIKIT)