

Hose Reel

Air Hose Reel H201 H202 Series

Specifications

Capacity: 100 feet of 3/8" hose (H201)
 50 feet of 3/8" hose (H202)
 Inlet: 3/8" NPT(BSPT option)
 or 1/4" NPT(BSPT option)
 Hose Outlet: 3/8" NPT(BSPT option)
 or 1/4" NPT(BSPT option)
 Maximum Pressure: 4000PSI



Read the following precautions and instructions before you begin assembly or using. Keep these instructions in a dry place for future reference.

Safety Precautions

1. Make sure incoming pressure does not exceed the rated pressure.
2. Use the proper eye protection when assembling and using the hose reel.
3. Assemble the hose reel on a clean workbench free of debris and moisture.
4. Use soap and water when checking for air leaks.
5. Keep children away from the work area.

Warning: Exposure of skin directly to pressurized air or fluids could result in severe bodily injury.

Unpacking

When you receive your new hose reel, it will be mostly reassembled. Check to ensure that you have received the following loose parts.

Part No.	Q'ty	Description
20	3	Screw
21	3	Washer
22	3	Nut
23	1	Handle

Installation and Assembly

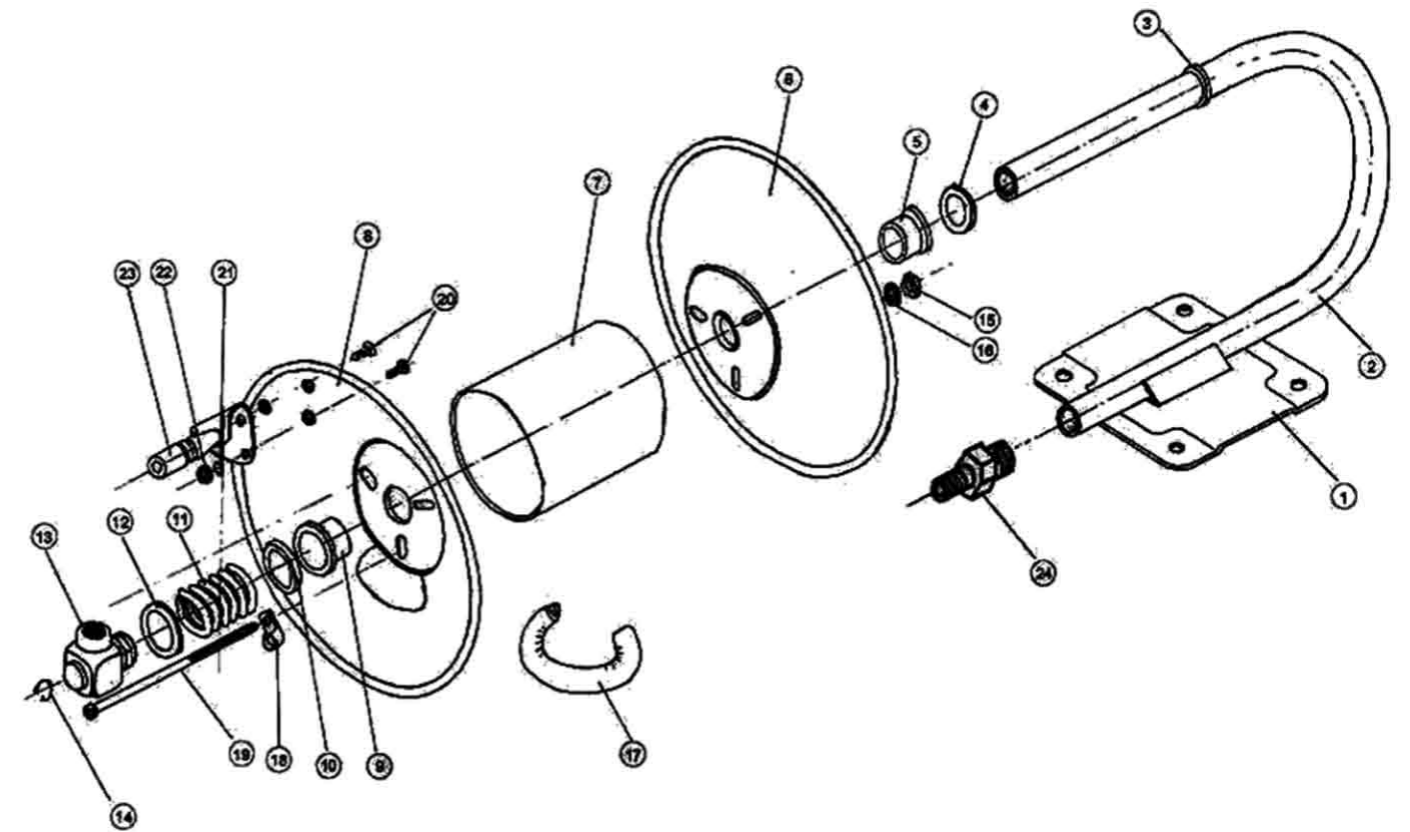
Note: You will need to purchase appropriate hardware for mounting your new reel.

Holes have been provided in the reel base, for mounting on a suitable flat surface. You will also need to supply hose for the reel. Refer to specification information to determine the correct hose length.

Refer to appendix for assembly.

1. Match handle to 3 holes in reel flange. Attach using 3 screws, nuts and washers.
 Note: Nuts must go on handle side of flange.
2. Put the bolts (3/8" or 10mm) through 4 holes in the base of the hose reel and tighten it to ceiling/wall/floor so reel can be fastened into position.
3. Apply teflon tape or thread sealant to reel's built in supply hose fitting. Then attach this supply hose to the outlet of power source.
4. Apply teflon tape or thread sealant to hose fitting threads. Attach to the reel swivel valve, then feed the rest of hose through the flange opening.
5. To avoid damaging the swivel valve, make sure to use a appropriate wrench to stabilize the swivel hosing tightening the hose fitting.
6. Hose length should be 100 feet or less, (or 50 feet or less).

Hose Reel



Part List

Part No.	Description	Quantity	Part No.	Description	Quantity
1	Base(welded with stand)	1	13	Swivel (including 2 valve & 2 O-ring)	1
2	Stand(steel pipe covered with foam protector)	1	14	Spring washer	1
3	Fixed washer (welded on stand)	1	15	Nut	3
4	Washer	1	16	Washer	3
5	Position sleeve	1	17	Protector (rubber)	1
6	Flange A	1	18	Clamp	1
7	Sleeve	1	19	Screw	3
8	Flange B	1	20	Screw	3
9	Position sleeve	1	21	Washer	3
10	Washer	1	22	Nut	3
11	Spring	1	23	Handle	1
12	Washer	1	24	Valve	1