

Hand Crank Hose Reel

208 Series

Read the following precautions and instructions before you begin assembly or using. Keep these instructions in a dry place for future reference.



Safety Precautions

1. Make sure incoming pressure does not exceed the rated pressure.
2. Use the proper eye protection when assembling and using the hose reel.
3. Assemble the hose reel on a clean workbench free of debris and moisture.
4. Use soap and water when checking for air leaks.
5. Keep children away from the work area.

Warning: Exposure of skin directly to pressurized air or fluids could result in severe bodily injury.

Unpacking

When you receive your new hose reel, its handle will be mostly reassembled. Check to ensure that you have received the following loose parts.

<u>Part No.</u>	<u>Q'ty</u>	<u>Description</u>
7	3	Screw
2	6	Washer
9	3	Nut
11	1	Handle

Installation and Assembly

Note: You will need to purchase appropriate hardware for mounting your new reel. Holes have been provided in the reel base, for mounting on a suitable flat surface. You will also need to supply hose for the reel. Refer to specification information to determine the correct hose length.

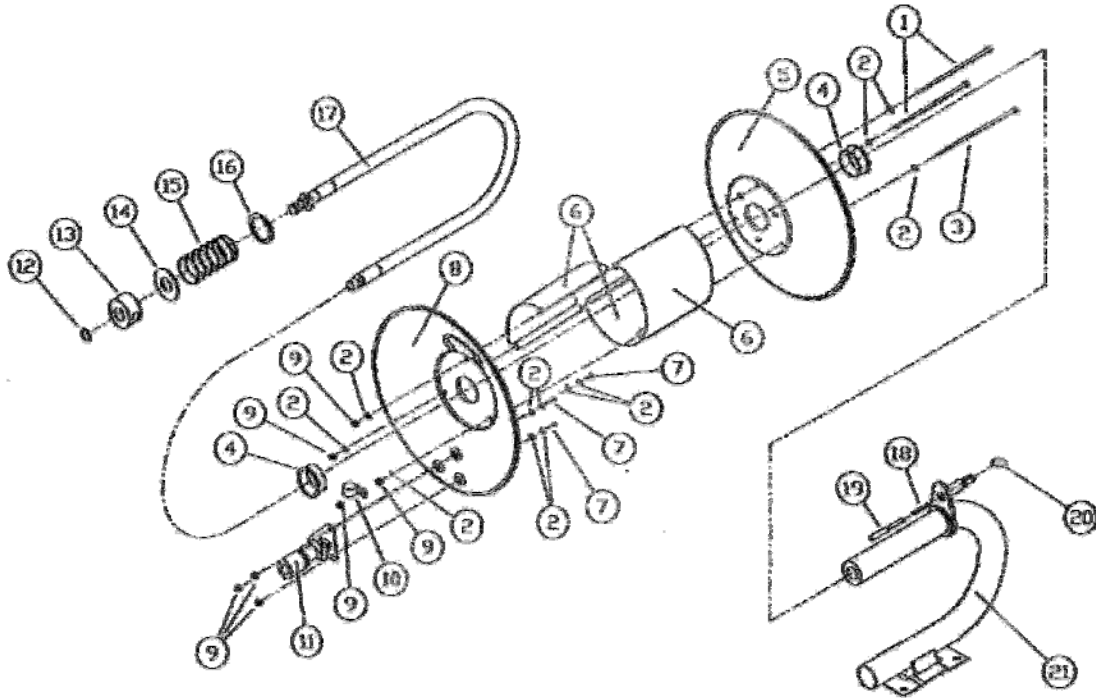
Refer to appendix for assembly.

1. Match handle to 3 holes in reel flange. Attach using 3 screws, nuts and washers.
Note: Nuts must go on handle side of flange.
2. Put the bolts (3/8" or 10mm) through 4 holes in the base of the hose reel and tighten it to ceiling/wall/floor so reel can be fastened into position.
3. Apply teflon tape or thread sealant to reel's built in supply hose fitting. Then attach this supply hose to the outlet of power source.
4. Apply teflon tape or thread sealant to hose fitting threads. Attach to the reel swivel valve, then feed the rest of hose through the flange opening.
5. To avoid damaging the swivel valve, make sure to use a appropriate wrench to stabilize the swivel hosing tightening the hose fitting.
6. 3/8" I.D. Hose length should be 150 feet or less.
7. 1/2" I.D. Hose length should be 65 feet or less.

Limited Warranty

1. The manufacturer warrants this hose reel against defects in material and craftsmanship, for a period of 12 months from date of purchase.
2. Hose, if supplied with reel, and O-rings are deemed to be normal wear items; not warranted.

3. Manufacturer's liability is limited to replacement or repair of defective material within the warranty period, when returned freight prepaid to the distributor or their designated service depot.
4. The warranty does not cover damage caused by accident, misuse or faulty installation.
5. The reel must be installed and maintained in compliance with these instructions.



208 Partlist

Part No.	Description	Quantity
1	Bolt , Reel Span m6*6.8"	2
2	Washer, Flt. M6*m18	9
3	Bolt, reel Span m6*7,3"	1
4	Bushing, Flang 42mm ID	2
5	Flange, Reel- Solid - 13"	1
6	Core Sector 5.5"D*6,3"	3
7	Screw, m6-1.0*12mm Flange, Reel - Hose in - 13"	3
8	Nut, Nylock m6- 1.0Hx Z	1
9		7
10	Strap, Hose Guide	1
11	Handle Assy	1
12	Ring, External retainer - 13mm	1
13	Swivel Body 3/8" (Br)	1
14	Bushing Spg, Ret'r - m2 thxm24 id	1
15	Spring, Reel Drag-	2

16	Bush, Slip Rng - m3 thkxm42.5 id	1
17	Swivel Core W/ 3/8"* 3.2' Hose Spring, " Posi - Lock"	1
18	Reel	1
19	Pin, "Posi- Lock" Reel	1
20	Ring, Pull "posi- Lock" Base, Hose Reel -	1
21	206/209	1