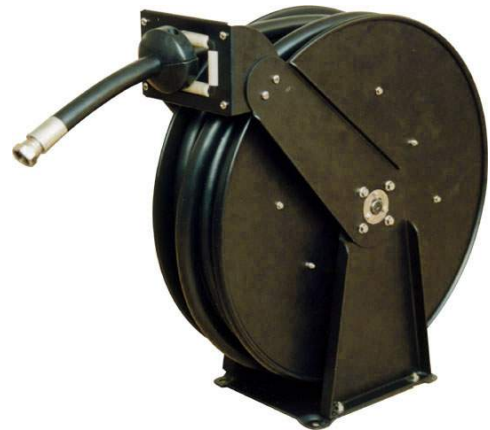


Large Industrial Hose Reel

Hose Reel Series 880

Specification

Spring driven drum: for automatic rewind.
Locking ratchet: to maintain the desired length of hose in use.



Strength Through Design.
Dual Ball Bearing Support.
Containerized Drive Spring.

Read the following precautions and instructions before you begin assembly or using. Failure to comply with these instructions could result in personal injury or property damage. Keep these instructions in a convenient location for future reference.

Hose Reel Safety Precautions

1. Make sure incoming line pressure does not exceed the rated operating pressure for your model hose reel.
2. Use proper eye protection when assembling and using the hose reel.
3. Use soap and water when checking for leaks.
4. Keep children away from the work area.

Warning: Exposure of skin directly to pressurized air, or fluids could result in severe bodily injury.

Installation of Reel

1. For overhead ceiling mounting: Install reel at most 10 feet above the floor.
2. You will need to purchase appropriate hardware for mounting your new reel.
 - 1) The reel base has four 12mm (1/2") drilled holes for mounting on a suitable flat surface. Figure 2 is a template showing the correct location of the 4 mounting holes in the base.
 - 2) Using the four holes in the base, mount the reel in the desired location. Be sure to use appropriate hardware and tighten securely.
3. Apply Teflon tape or pipe sealant to supply line threads, attach to reel inlet and tighten. The other end of incoming line can now be connected to desired supply source.
4. Attach outlet fitting on reel hose to desired tool, or nozzle. Check connection for leakage, also check hose reel for correct operation. See: Operation section.
5. If hose stopper adjustment is required, pull hose from reel and allow to latch at desired length. Loosen stopper bolts, and slide stopper to a position close to the hose guide. Tighten stopper bolts, and unlatch the reel.

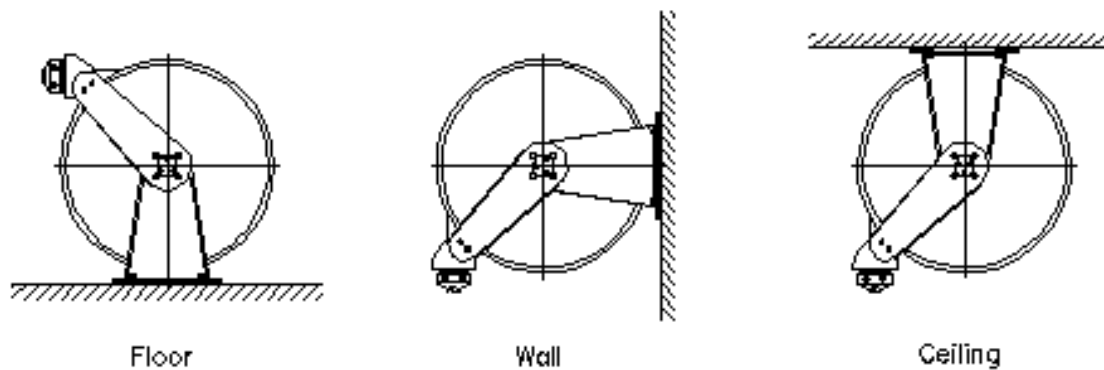


Figure 2

Operation

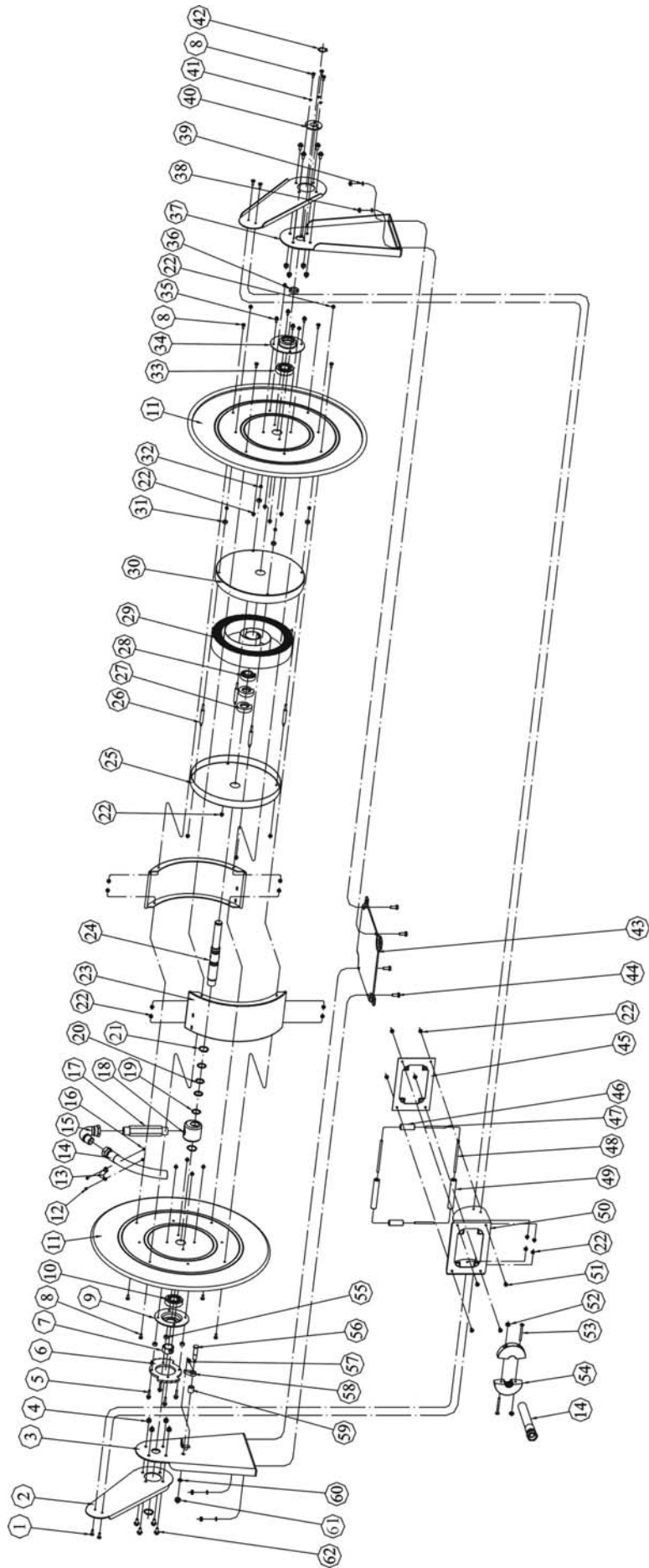
1. Check reel for correct operation by slowly pulling out the hose. A “clicking” noise will be heard every half revolution of the drum.
2. Latching Mode Switch, when reel is in free run state, pull out the hose and allow it to retract after hearing the first second or third “click”. Then turn the switch 180 degree as the rotate direction on the reel to latch the reel.
3. To unlatch the reel, turn the switch 180 degree counterclockwise, slowly pull out the hose until the “clicking” noise stops, and then let the hose retract until the hose stop rests against the hose guide.

Note: To avoid damage to the reel, always hold on to the hose while it is rewinding.

4. Periodically check the hose condition for wear or damage, and check the swivel fitting for leakage. Replace any worn, damaged, or leaking parts.

Limited Warranty

1. The manufacturer warrants this hose reel against defects in material and craftsmanship, for a period of 12 months from date of purchase.
2. Hose, if supplied with reel, O-rings, plastic rollers and rubber stopper are deemed to be normal wear items; not warranted.
3. Manufacturer’s liability is limited to replacement or repair of defective material within the warranty period, when returned freight prepaid to the distributor or their designated service depot.
4. The warranty does not cover damage caused by accident, misuse or faulty installation.
5. The reel must be installed and maintained in compliance with the instructions.



Parts List

Part No.	Description	Quantity	Part No.	Description	Quantity
1	Cross recessed screw M6X12	4	32	Nut M6	4
2	Inclined support	2	33	Bearing 205	1
3	Support (1)	1	34	Bearing cover (smaller)	1
4	Prevailing torque type nut M8	8	35	Hexagon flange bolt M6X12	4
5	Hexagon flange bolt M6X25	4	36	Bushing	1
6	Ratchet plate	1	37	Support (2)	1
7	Bushing	1	38	Nut M8	4
8	Hexagon head bolt M6X12	11	39	Spring lock washer 8	4
9	Bearing cover (bigger)	1	40	Shaft sheath	1
10	Bearing 206	1	41	Spring lock washer 6	3
11	Flange	2	42	Circlip for shaft 25	1
12	Cross recessed screw M4X6	2	43	Base plate	1
13	Hose hoop	1	44	Hexagon head bolt M8X20	4
14	Hose assembly	1	45	Guide sub-plate	1
15	Angle fitting assembly	1	46	Roller	2
16	Nut M4	2	47	Roller shaft	2
17	Fitting	1	48	Roller shaft	2
18	Swivel body	1	49	Roller	2
19	O-ring retainer	2	50	Guide plate	1
20	O-ring	2	51	Nut	2
21	Circlip for shaft 30	3	52	Cross recessed screw M6X16	2
22	Prevailing torque type nut M6	32	53	Hexagon flange bolt M6X60	2
23	Tile frame	2	54	Rubber-stopper	2
24	Axle	1	55	Ratchet plate Bushing	4
25	Spring pan (bigger)	1	56	Ratchet bolt	1
26	Double end stud	4	57	Ratchet spring	1
27	Spring clasp	2	58	Ratchet	1
28	Spring clasp	1	59	Ratchet bolt bushing	1
29	Spring	1	60	Spring lock washer 10	1
30	Spring pan (smaller)	1	61	Prevailing torque type nut	1
31	Washer	4	62	Hexagon flange bolt M8X16	8