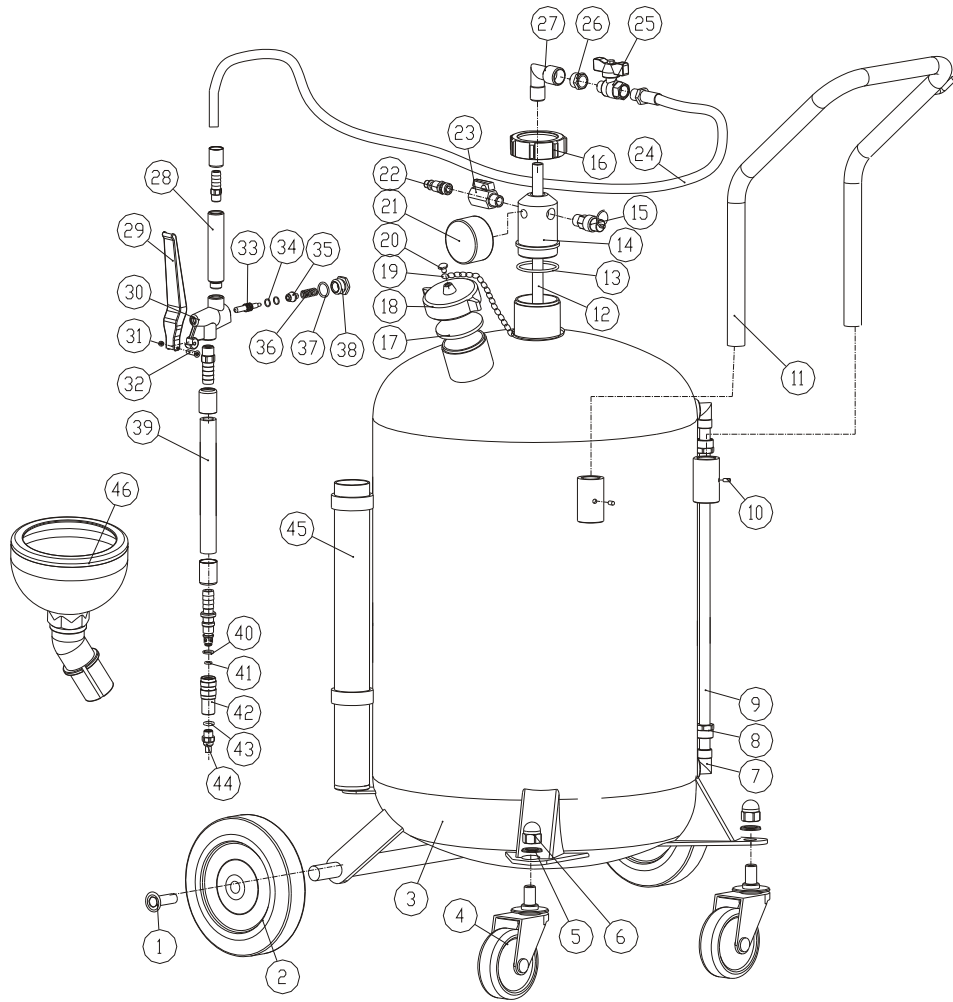
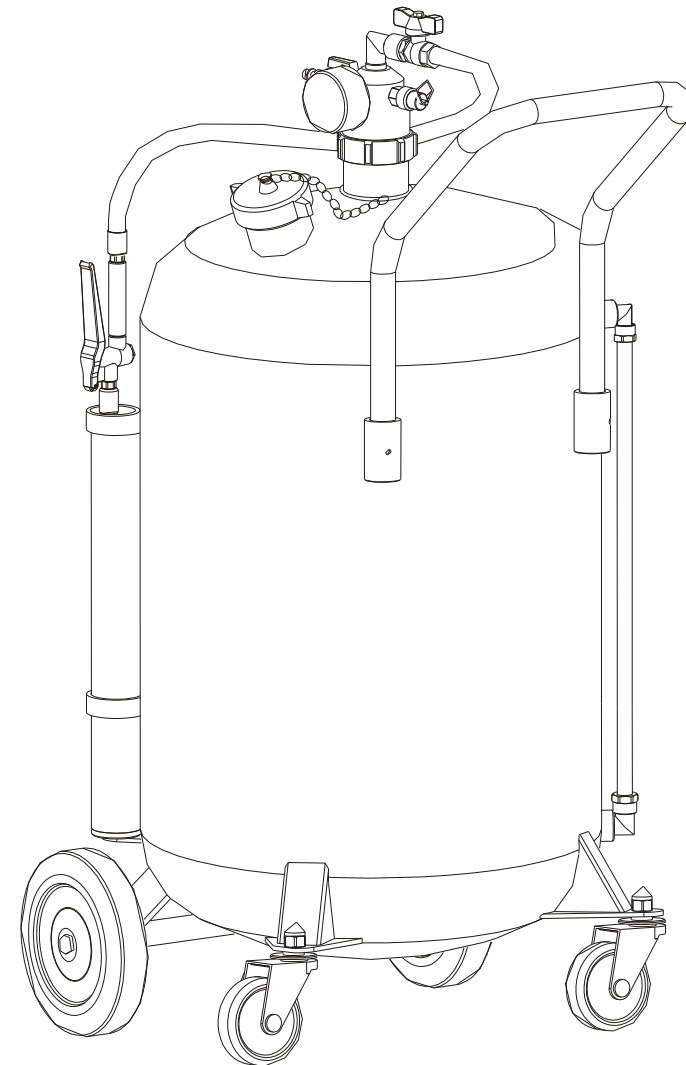


POD065



# PNEUMATIC OIL DISPENSER MANUAL

■ POD065

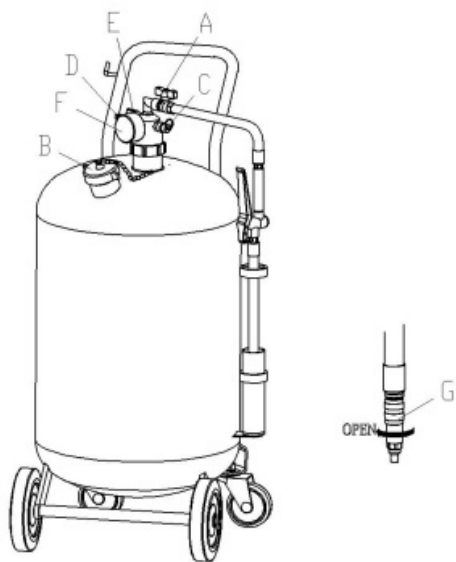


## ⚠ WARNING

- Do not deliver corrosive or flammable liquids.
- Do not expose the tank to heat sources.
- Do not do welding on the vessel only use the appliance for its intended purpose.

## OPERATION

- Remove cap B and fill the reservoir (4/5 its capacity) with oil, using the funnel supplied.
- Secure cap B. Close ball valve A. Connect compressed air to quick couple D, open the ball valve E until manometer F gives a pressure of 3-8 bar.
- To deliver oil, open ball valve A. Open gun set G by it counter clockwise.



## ⚠ WARNING

Before opening the cap B always discharge the reservoir compressed air by opening ball valve E.

## PART LIST

No.	Description	Quantity	No.	Description	Quantity
1	BOLT	2	24	CONNECTING HOSE	1
2	WHEELS	2	25	BALL VALVE	1
3	RESERVOIR 65L	1	26	DOUBLE END ADAPTER	1
4	SWEVELLING WHEELS	2	27	ELBOW ADAPTER	1
5	PLAIN WASHER	2	28	GUN SPINDLE	1
6	ACORN NUT	2	29	GUN HANDLE	1
7	ELBOW	2	30	GUN SEAT	1
8	RING	2	31	HEXAGON NUT	1
9	TUBE WITH LABEL	1	32	SCREWS	1
10	SCREWS WITH CHAMFERED END	2	33	HANDSPIKE	1
11	HANDLE	1	34	O-RING 6X1.8	2
12	STEEL TUBE	1	35	VALVE	1
13	O-RING 42.5X2.65	1	36	SPRING	1
14	SEAT	1	37	O-RING 14X1.8	1
15	SAFETY VALVE	1	38	ROUND HEAD SCREWS PLUG	1
16	ROUND NUT WITH COLLAR	1	39	CONNECTING HOSE	1
17	GASKET	1	40	O-RING 9X1.8	1
18	PRESSURE PLUG	1	41	O-RING 5X1.8	1
19	CHAIN	1	42	GUN SEAT	1
20	ROUND HEAD SCREWS	1	43	O-RING 8.5X1.8	1
21	GAUGE	1	44	GUN NIB	1
22	PLUGS	1	45	CONTAINER	1
23	BALL VALVE	1	46	FUNNEL	1